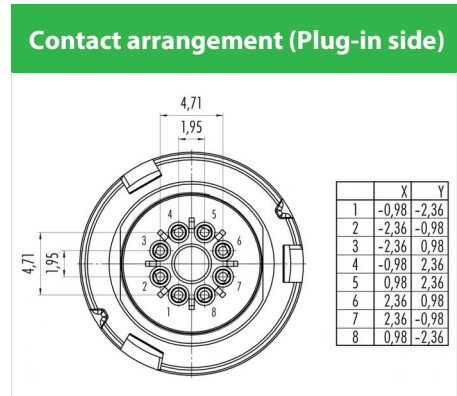
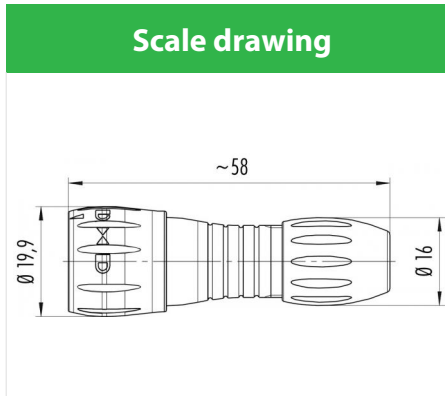


Product description	Bayonet NCC cable connector, Contacts: 8, 4.0 - 6.0 mm, solder, IP67
Area	Bayonet NCC series 770
Order number	99 0771 401 08



You can find the component part drawing and assembly instructions on the next page.

Technical data

General values

Connector design	cable connector
Connector locking system	Bayonet
Termination	solder
Wire gauge (mm)	max. 0.25 mm ²
Wire gauge (AWG)	max. 24
Cable outlet	4.0 - 6.0 mm
Upper limit temperature	85 °C
Customs tariff number	85369010
Packaging Unit	100

Electrical values

Rated current (40 °C)	2 A
Rated voltage	175 V
Rated impulse voltage	1750 V
Pollution degree	2
Overvoltage category	II
Insulating material group	II
Degree of protection	IP67
Mechanical operation	> 5000 Mating cycles

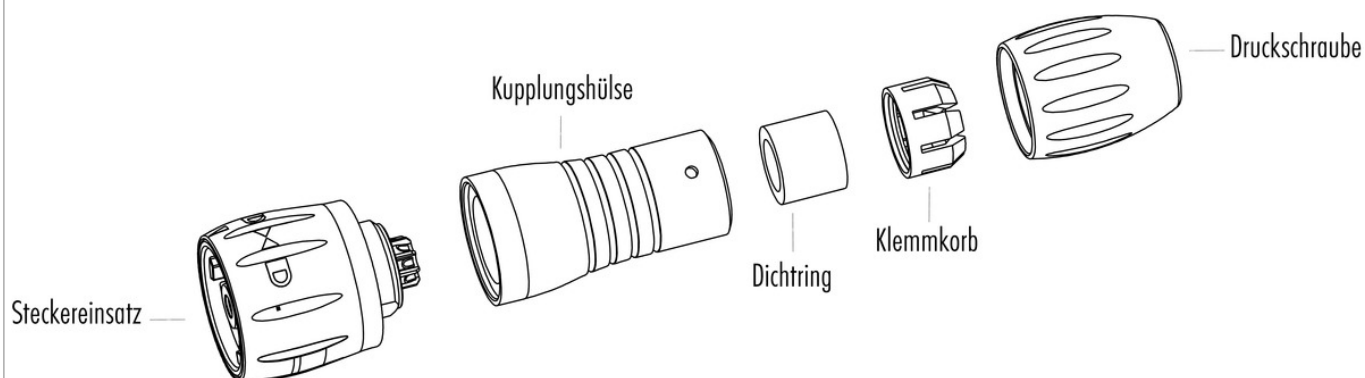
Material

Contact material	CuZn (brass)
Contact plating	Au (gold)
Contact body material	PA (UL94 HB)
Housing material	PA
REACH SVHC	CAS 96-45-7 (Imidazolidine-2-thione) CAS 7439-92-1 (Lead)

Product description **Bayonet NCC cable connector, Contacts: 8, 4.0 - 6.0 mm, solder, IP67**

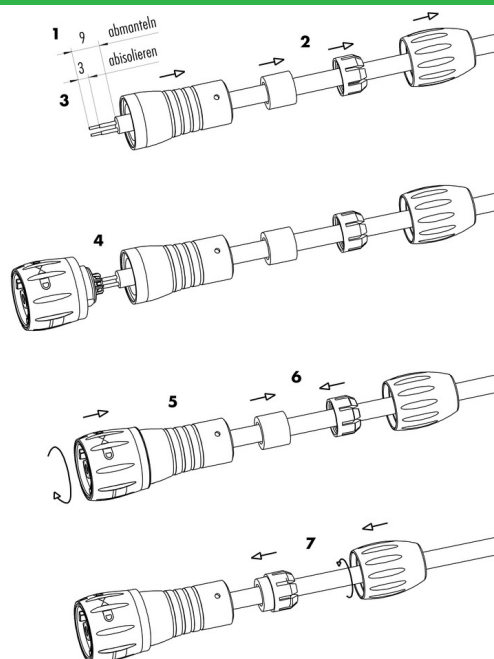
Area **Bayonet NCC series 770**
 Order number **99 0771 401 08**

Component part drawing



Assembly instructions / Panel cut-out

1. Abmanteln auf L = 9mm.
Ummantlung abstreifen.
2. Druckschraube, Klemmkorb, Dichttring und Abstandshülse auf Kabel auffädeln.
3. Litzen absisolieren (L = 3mm) und verzinnen.
4. Einsätze einlöten.
5. Bajonettadapter am Gewinde der Abstandshülse aufsetzen und mit leichtem Druck in Pfeilrichtung festschrauben.
6. Den Klemmkorb über den Dichttring bis auf Anschlag aufschieben.
7. Mit Druckschraube Klemm-, dichteinheit gegen Abstandshülse drücken und festschrauben.



Product description	Bayonet NCC cable connector, Contacts: 8, 4.0 - 6.0 mm, solder, IP67
Area	Bayonet NCC series 770
Order number	99 0771 401 08

Security notices

The connector must not be connected or separated under load. Non-observance and incorrect use can result in personal injury.

The connectors are designed for use in plant, control system and electrical equipment. The end user is responsible for checking whether the connectors are suitable for use in other applications.

Connectors used in electrical circuits containing hazardous life parts must only be assembled and used by or under the supervision of persons with the requisite electrotechnical training, taking the applicable regulations and standards into account.

Connectors with degree of protection IP 67 and IP 68 are not suitable for use under water. When used outdoors, the connectors must be separately protected against corrosion. For further information about IP degrees of protection refer to 'Technical support' in the Download Centre.